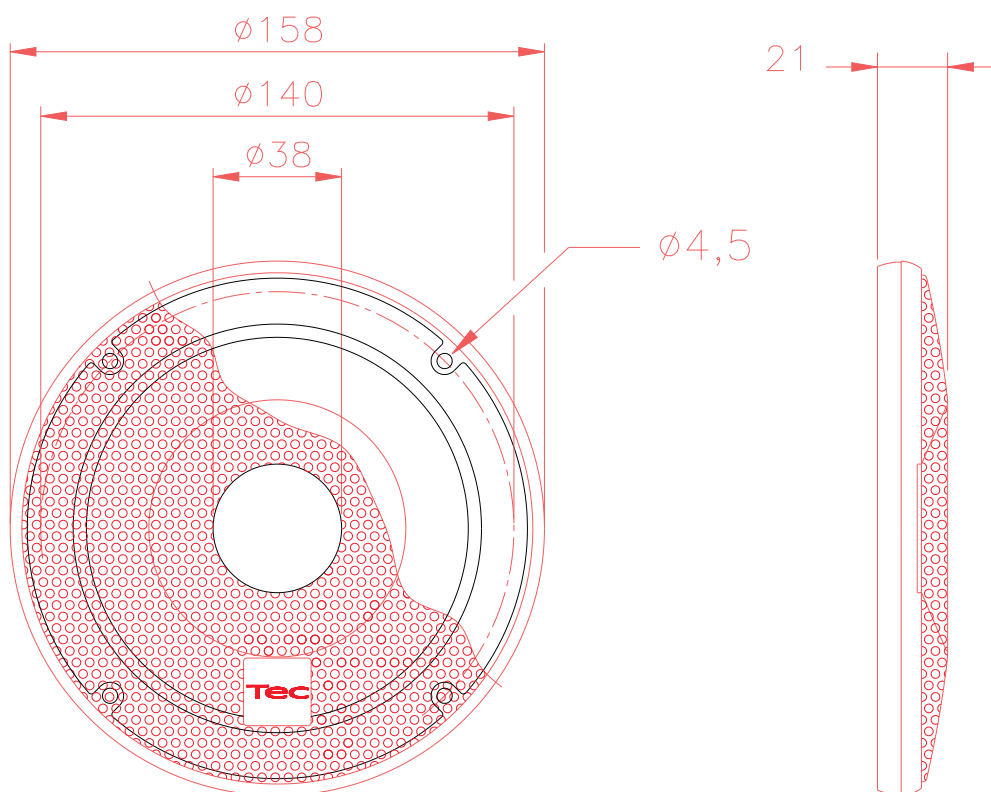


## GRILLE

11-TPL5X



Unity are in (mm)

## SPECIFICATION

Grille - Steel/ Painted Black

Gasket - Polypropilene Injected



**E.B. ACOUSTIC & ELECTRONIC RESEARCH S.R.L.**

Via S. Bartolomeo, 10 - 28047 OLEGGIO (NO) Italy Ph. 0039 0321 91430 - Fax 0039 0321 94411

[www.ebacoustic.it](http://www.ebacoustic.it)