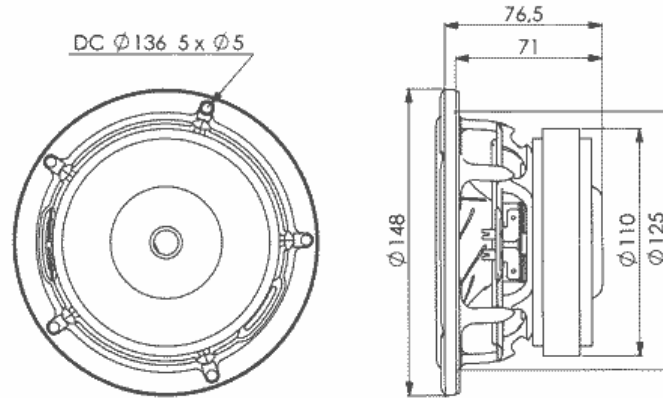
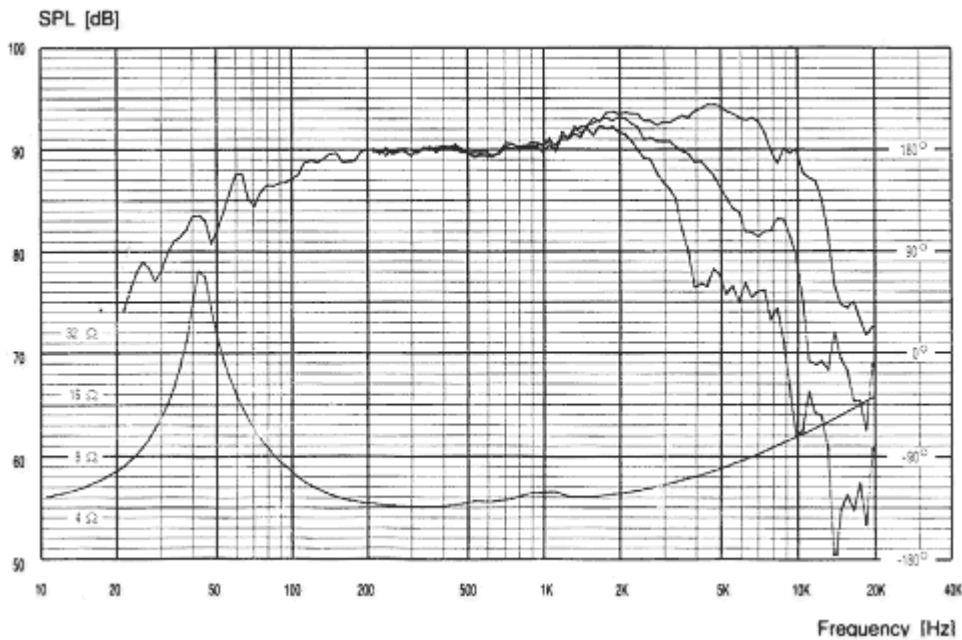




## 15M/4531K00



Characteristic sensitivity (2.83V / 1m)	: 90 dB
Recommended frequency range	: 100 - 6000 Hz
Free air resonance frequency, $f_s$	: 35 Hz
DC resistance, $R_e$	: 3.5 ohm
Voice coil inductance, $L_e$	: 0.17 mH
Effective piston area, $S_d$	: 95 cm <sup>2</sup>
Moving mass incl. air, $m_d$	: 11 g
Mechanical loss, $R_m$	: 0.5 Ns/m
Force factor, $BL$	: 6.0 Tm
Equivalent volume, $V_{as}$	: 24 ltr.
Mechanical Q-factor, $Q_{ms}$	: 4.8
Electrical Q-factor, $Q_{es}$	: 0.24
Total Q-factor, $Q_{ts}$	: 0.22
Excursion, lin./max.	: $\pm 3.0 / \pm 8$ mm
Voice coil diameter	: 38 mm
Rated power handling	: -
Net weight	: 1.6 kg



Frequency response: 2.83V / 1m