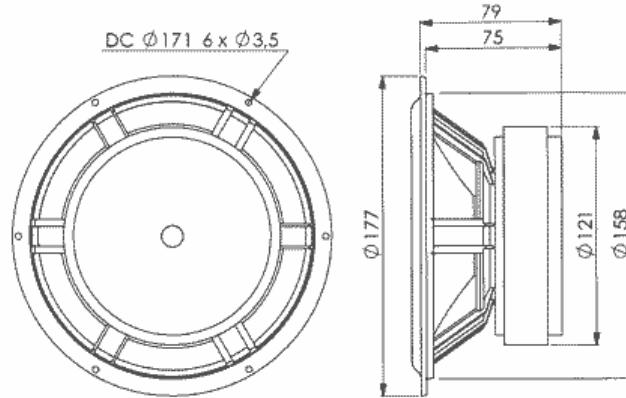
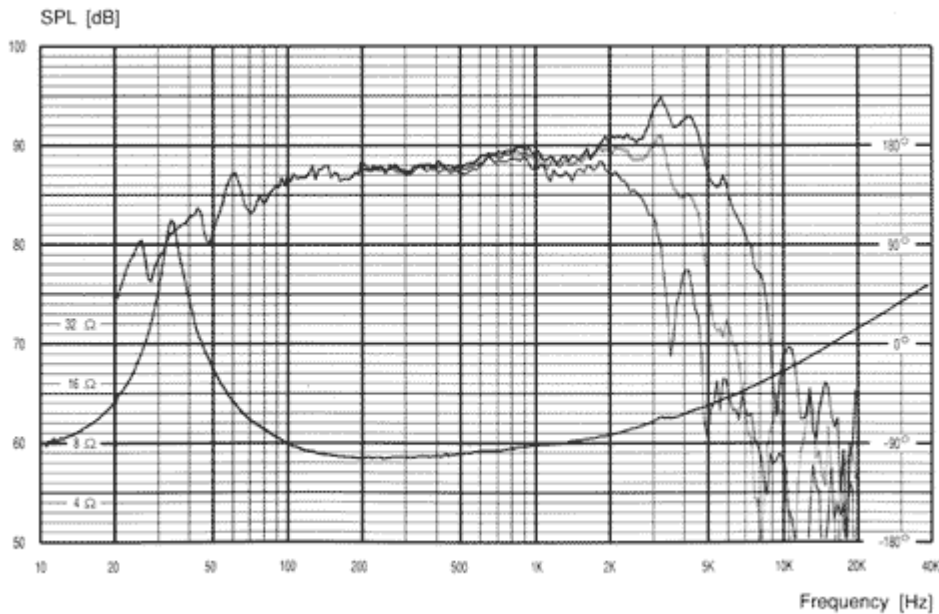




18W/8545K00



Characteristic sensitivity (2.83V / 1m)	: 87.5 dB
Recommended frequency range	: 28 - 3000 Hz
Free air resonance frequency, f_s	: 28 Hz
DC resistance, R_e	: 5.5 ohm
Voice coil inductance, L_e	: 0.4 mH
Effective piston area, S_d	: 145 cm ²
Moving mass incl. air, m_d	: 20.5 g
Mechanical loss, R_m	: 0.7 Ns/m
Force factor, BL	: 8.2 Tm
Equivalent volume, V_{as}	: 48 ltr.
Mechanical Q-factor, Q_{ms}	: 5.2
Electrical Q-factor, Q_{es}	: 0.30
Total Q-factor, Q_{ts}	: 0.28
Excursion, lin./max.	: $\pm 6.5 / \pm 10$ mm
Voice coil diameter	: 42 mm
Rated power handling	: 100 W
Net weight	: 2.4 kg



Frequency response: 2.83V / 1m