

### KEY FEATURES

- High sensitivity (107 dB)
- Extended frequency range (2.5 -22 KHz)
- Aluminium diaphragm
- Double ferrite magnet
- Aluminium front cover
- Designed for the high frequencies reproduction

### TECHNICAL SPECIFICATIONS

Nominal impedance	4 ohms
Power handling / maximum	35 W RMS / 150 W
Sensitivity	107 dB 1w @ 1m
Frequency range	2.5 - 22 kHz
Recommended crossover frequency	5 kHz, 12 dB/oct.
Resonant frequency, fs	6 kHz
Voice coil diameter	25.8 mm. 1.02 in.
Diaphragm material	Aluminium

### MOUNTING INFORMATION

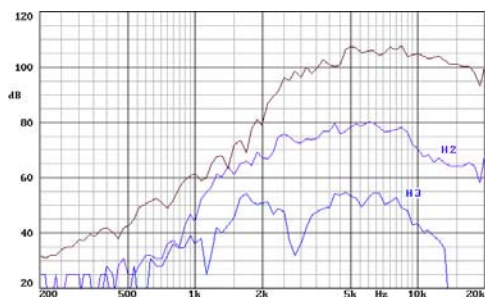
Overall diameter	89 mm. 3.50 in.
Depth	85 mm. 3.35 in.
Baffle cutout dimensions	72 mm. 2.84 in.
Bolt circle diameter	80 mm. 3.15 in.

### RECOMMENDED ATTENUATION

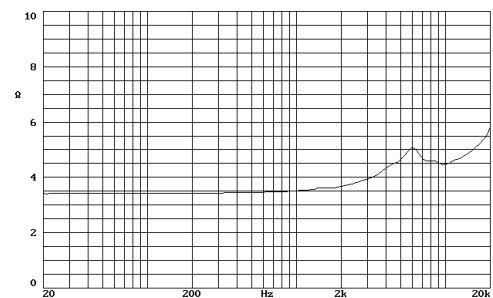
-3 dB attenuation	R1 (1.2 Ω) R2 (10 Ω)
-6 dB attenuation	R1 (2 Ω) R2 (4 Ω)
-9 dB attenuation	R1 (2.7 Ω) R2 (2.2 Ω)
-12 dB attenuation	R1 (3 Ω) R2 (1.2 Ω)

Note: these values are calculated for a 4 ohms load impedance.  
Please do not forget to take into account the applied power when choosing the resistors.

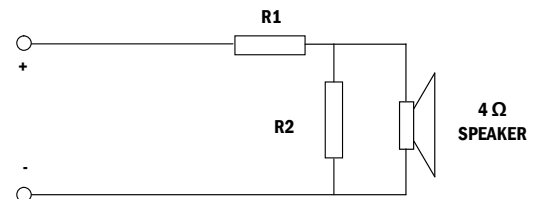
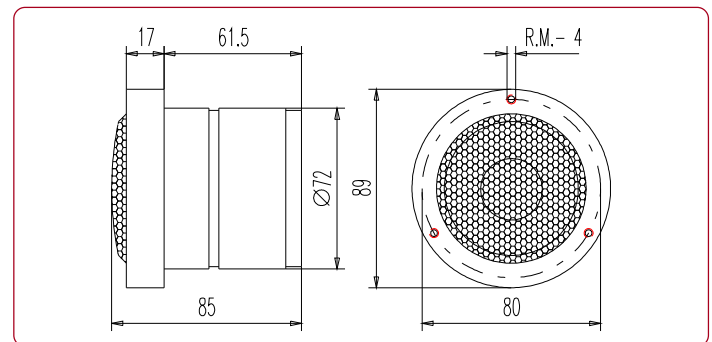
### FREQUENCY RESPONSE



### IMPEDANCE CURVE



### DIMENSION DRAWINGS



E.B. ACOUSTIC & ELECTRONIC RESEARCH S.R.L.

Via S. Bartolomeo, 10 - 28047 OLEGGIO (NO) Italy Ph. 0039 0321 91430 - Fax 0039 0321 94411

[www.ebacoustic.it](http://www.ebacoustic.it)