

KEY FEATURES

- High sensitivity (107 dB)
- Extended frequency range (4 -20 KHz)
- Aluminium diaphragm
- Designed for the high frequencies reproduction

TECHNICAL SPECIFICATIONS

Nominal impedance	4 ohms
Power handling / maximum	25 W RMS / 100 W
Sensitivity	107 dB 1w @ 1m
Frequency range	4 - 20 kHz
Recommended crossover frequency	5 kHz, 12 dB/oct.
Voice coil diameter	37.6 mm. 1.5 in.
Diaphragm material	Aluminium

MOUNTING INFORMATION

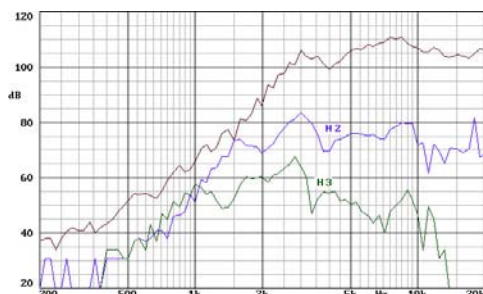
Overall diameter	103 x 103 mm. 4.06 x 4.06 in.
Depth	71 mm. 2.80 in.
Baffle cutout dimensions	92 mm. 3.62 in.
Bolt circle diameter	107 mm. 4.21 in.

RECOMMENDED ATTENUATION

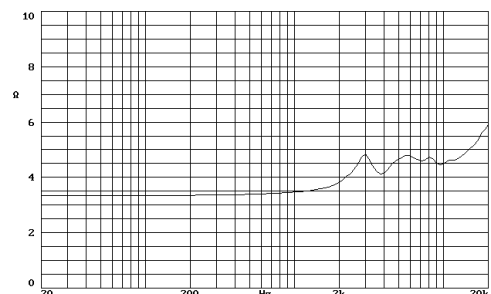
-3 dB attenuation	R1 (1.2 Ω) R2 (10 Ω)
-6 dB attenuation	R1 (2 Ω) R2 (4 Ω)
-9 dB attenuation	R1 (2.7 Ω) R2 (2.2 Ω)
-12 dB attenuation	R1 (3 Ω) R2 (1.2 Ω)

Note: these values are calculated for a 4 ohms load impedance.
Please do not forget to take into account the applied power when choosing the resistors.

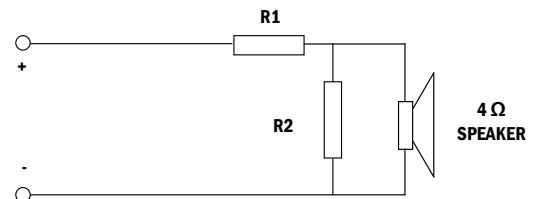
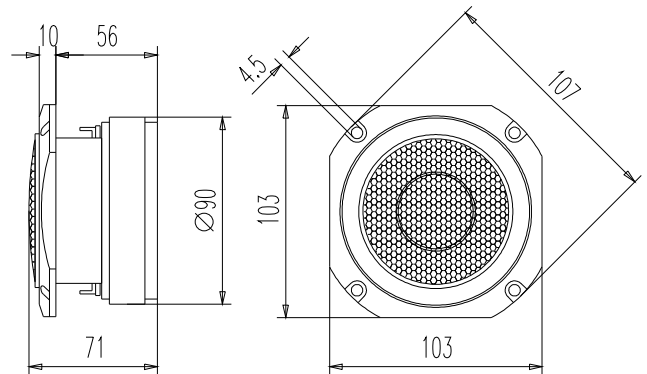
FREQUENCY RESPONSE



IMPEDANCE CURVE



DIMENSION DRAWINGS



E.B. ACOUSTIC & ELECTRONIC RESEARCH S.R.L.

Via S. Bartolomeo, 10 - 28047 OLEGGIO (NO) Italy Ph. 0039 0321 91430 - Fax 0039 0321 94411

www.ebacoustic.it