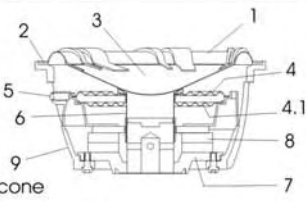
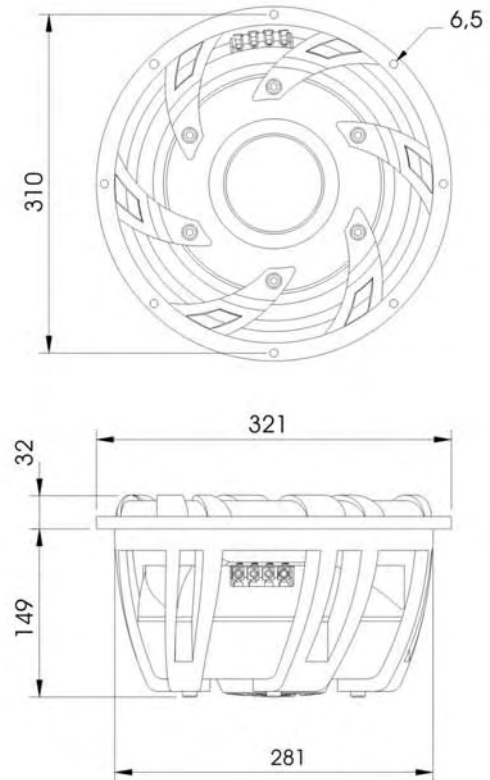


SUB WOOFER

- 
- 1 Thermoplastic rubber (Santoprene[®]) surround
 - 2 Thermoplastic rubber (Santoprene[®]) gasket
 - 3 Injection molded PGFC (poly/glass/carbon fiber) cone
 - 4 Thermoplastic rubber (Santoprene[®]) primary spider
 - 4.1 CONEX secondary spider
 - 5 Machined screw terminals
 - 6 Double 2.5" voice coil in fiberglass former
 - 7 Computer optimized magnet system
 - 8 Double stacked magnet 169 x 56mm
 - 9 Cast Aluminium frame

Frequency range	25 - 1200 Hz
Equivalent volume, Vas	38 L
Compliance, Cms	0,090 mm/N
Mechanical resistance, Rms	6,48 Ns/m
Effektive diaphragm/cone area, Sd	530,93 cm ²
Voice coil diameter	64,3 mm
Voice coil height	35 mm
Air gap height	9,5 mm
Linear excursion, Xmax	13 mm
Max mechanical excursion	22 mm
Nominal impedance	2+2 ohm
Voice coil resistance	1,7 + 1,7 ohm
Voice coil inductance (1KHz)	0,98 mH
Free air resonance, Fs	35 Hz
Sensitivity, SPL (1W/1m)	86 dB
Force factor, Bl	9,0 Tm
Moving mass, Md	257 g
Qms	7,80
Qes	0,60
Qts	0,56
Nominal power	800 W
Short term max power	1600 W
Magnet weight	2328 g
Total weight of driver	10550 g

BVX12D



Tolerance +/- 1mm

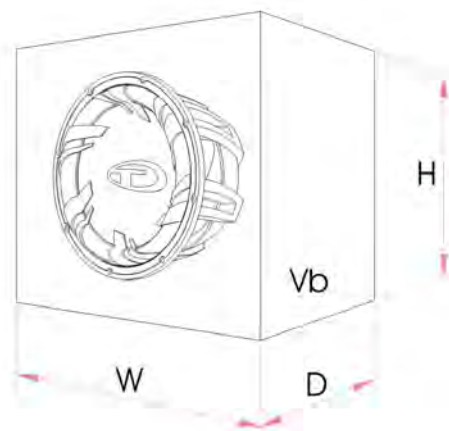
SPL vs Freq



SUB WOOFER BVX12D

SEALED ENCLOSURES

Model	Internal Dimensions (mm)			
	Vb (net)	W	H	D
BVX12D-2	35,2 lts	349	322	313



VENTED ENCLOSURES

Model	Internal Dimensions (mm)					
	Vb (net)	W	H	D	Dv	Lv
BVX12D-2	44,8 lts	343	318	411	3"	406



E.B. ACOUSTIC & ELECTRONIC RESEARCH

Via S. Bartolomeo , 10 - 28047 OLEGGIO (NO) Italy Ph. 0039 0321 91430 - Fax 0039 0321 94411