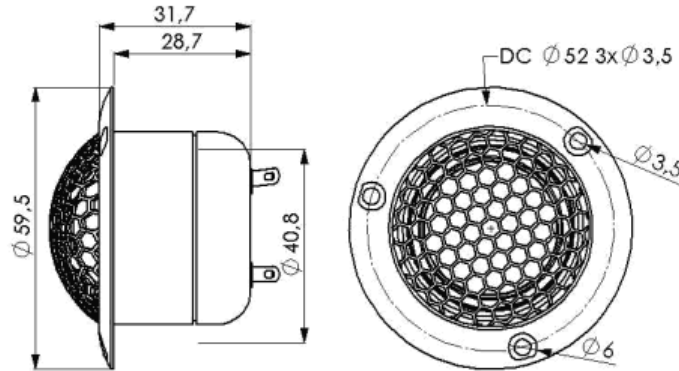
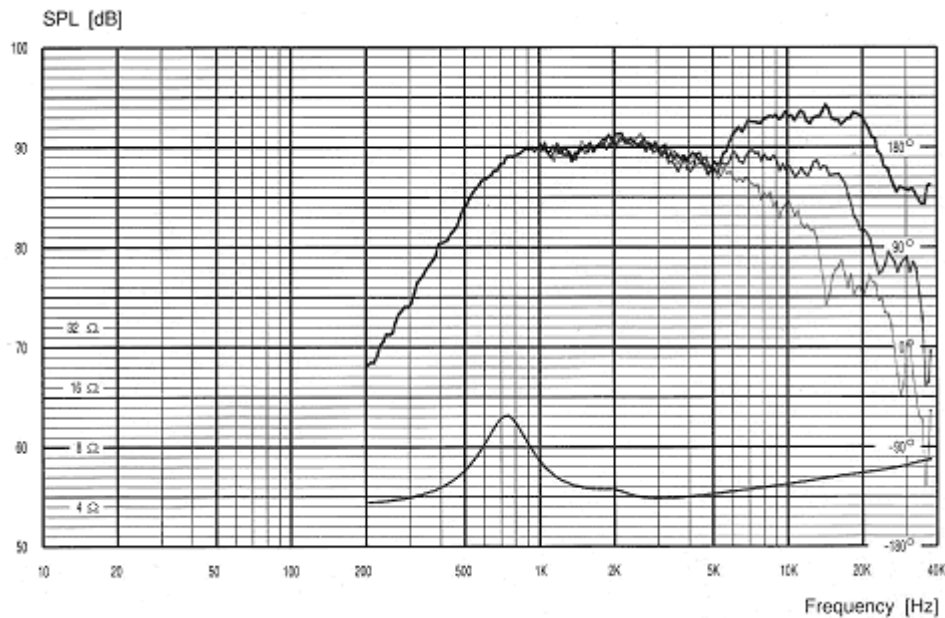




D2904/600000



Characteristic sensitivity (2.83V / 1m)	:	90.0 dB
Recommended frequency range	:	2.5 - 20 kHz
Free air resonance frequency, fs	:	750 Hz
DC resistance, Re	:	3.5 ohm
Voice coil inductance, Le	:	0.02 mH
Effective piston area, Sd	:	8.0 cm ²
Moving mass incl. air, md	:	0.40 g
Force factor, BL	:	2.7 Tm
Excursion, lin./max.	:	±0.25 / ±1.3 mm
Voice coil diameter	:	28 mm
Rated power handling	:	150 W (12 dB/oct. cross-over at 2.7 kHz)
Net weight	:	0.13 kg



Frequency response: 2.83V / 1m