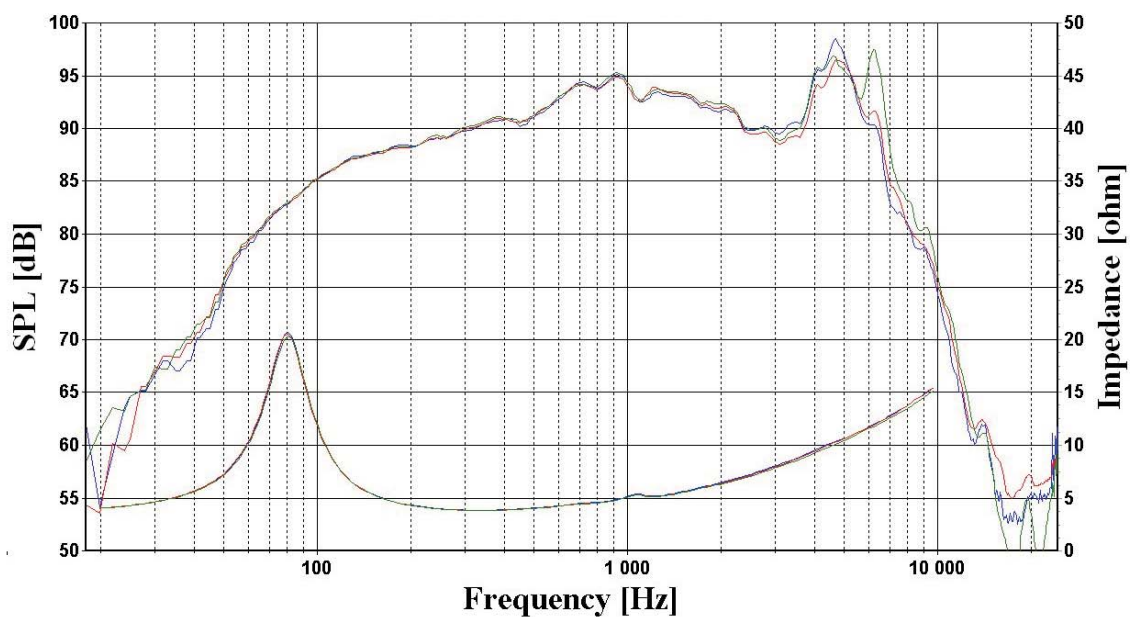
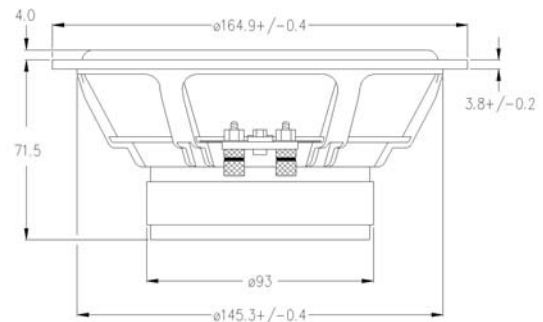
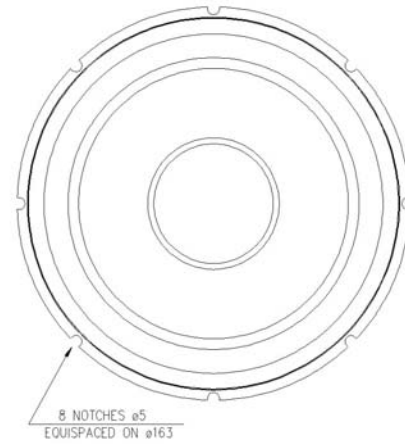


MID-WOOFER

LS 165

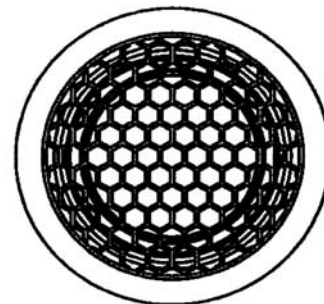
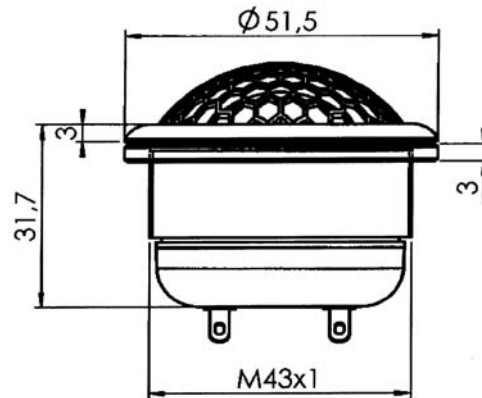
Frequency range	50-6500 Hz
Equivalent volume, Vas	17.4 L
Mechanical resistance, Rms	1.05 Ns/m
Effective diaphragm/cone area, Sd	130.0 cm ²
Voice coil diameter	39 mm
Linear excursion	±3.00 mm
Nominal impedance	4 ohm
Voice coil resistance	3.19 ohm
Voice coil inductance	0.60 mH
Free air resonance, Fs	50 Hz
Sensitivity, Spl (2.83V,1m)	89 dB
Force factor, Bxl	6.20 Tm
Moving mass, Md	13.78 g
Qms	4.11
Qes	0.36
Qts	0.33
Nominal power	80 W
Total weight of driver	1810 g



NEODYM. TWEETER

LS 29neo

- * Cupola in seta da 38 mm.
- * Tripolo magnete al neodimio.
- * Camera di risonanza posteriore per abbassare la Fs.
- * Elevata tenuta in potenza sia meccanica che elettrica.



Frequency range	1.2-26 KHz
Equivalent volume, Vas	--- L
Mechanical resistance, Rms	--- Ns/m
Effective diaphragm/cone area, Sd	8.0 cm ²
Voice coil diameter	28 mm
Voice coil height	2.5 mm
Linear excursion	± 0.25 mm
Nominal impedance	4 ohm
Voice coil resistance	3.5 ohm
Voice coil inductance [10KHz]	0.02 mH
Free air resonance, Fs	750 Hz
Sensitivity, Spl (2.83V,1m)	90 dB
Force factor, Bxl	2.9 Tm
Moving mass, Md	0.45 g
Qms	1.80
Qes	0.88
Qts	0.59
Nominal power*	80 W
Short term max power*	360 W
Long term max power*	190 W
Magnet weight	--- g
Total weight of driver	--- g

