

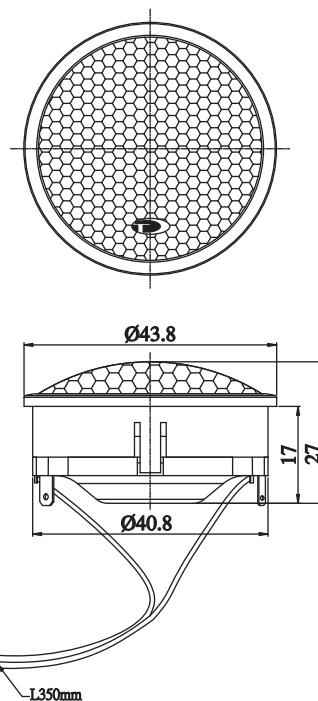


NEODYM. TWEETER

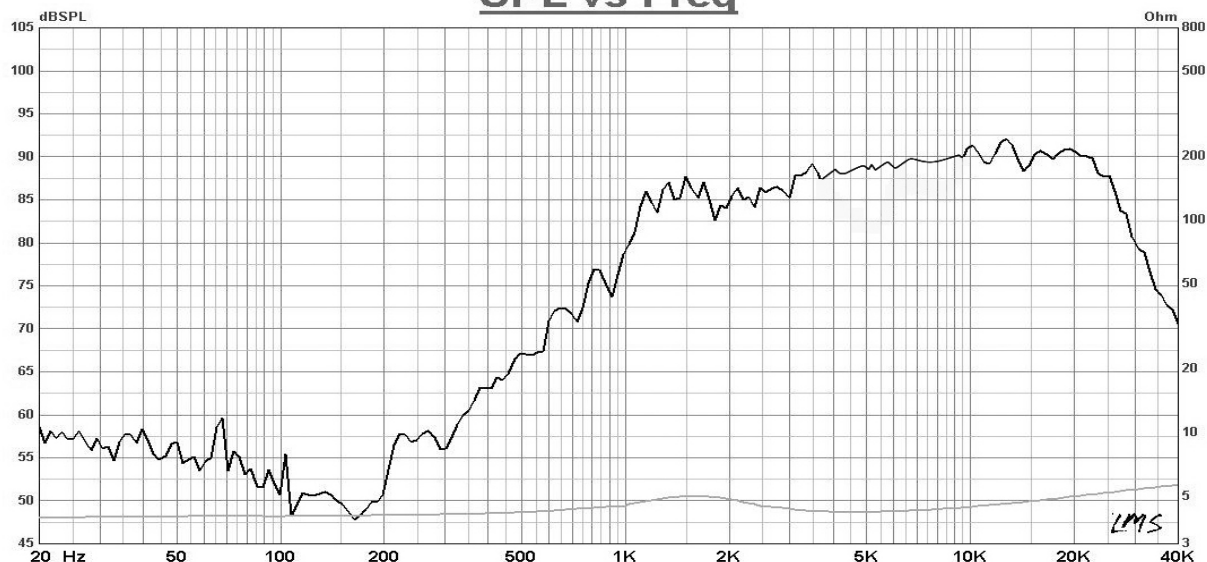
MY25n

- * TWEETER con cupola in seta da 25mm.
- * Griglia integrata nel corpo tweeter.
- * Magnete al neodimio ad alta temperatura di smagnetizzazione.
- * Molteplici accessori di installazione disponibili.
- * Crossover dedicato 6dB/oct. disponibile.
- * Cablaggio ad innesco rapido saldato sui terminali tweeter.

Frequency range	KHz	1.5-20
Effective diaphragm/cone area, Sd	cm ²	7.31
Voice coil diameter	mm	25.4
Voice coil height	mm	5
Nominal impedance	ohm	4
Voice coil resistance	ohm	3.2
Voice coil inductance	mH	0.036
Free air resonance, Fs	Hz	1500
Sensitivity, Spl (2.83V/1m)	dB	92
Moving mass, Md	g	0.25
Qms		0.82
Qes		1.98
Qts		0.58
Nominal power	W	40
Short term max power	W	160
Long term max power	W	80
Magnet weight	g	11.7
Total weight of driver	g	60

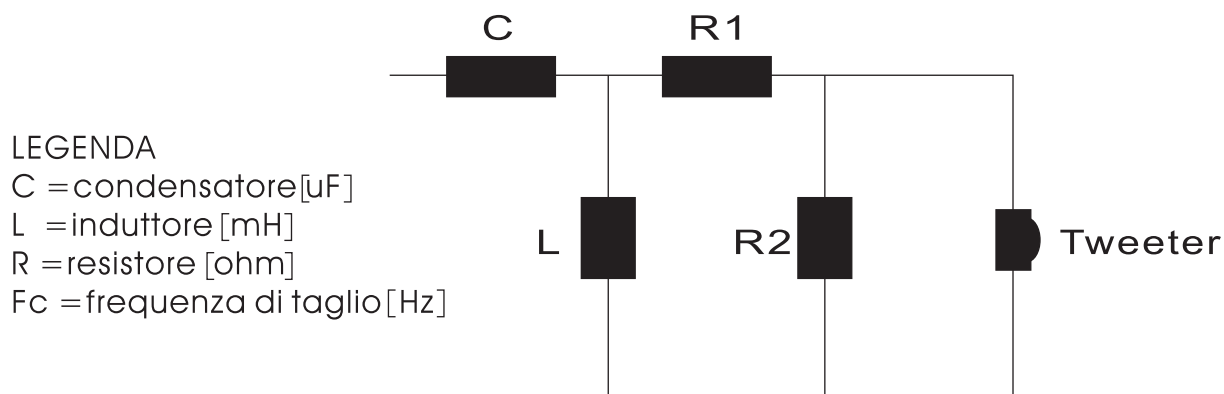


SPL vs Freq



NEODYM. TWEETER

MY25n



Crossover 12dB/oct, Butterworth

Fc=3000	C=11	L=0.24
Fc=3500	C=10	L=0.21
Fc=4000	C=8.8	L=0.18
Fc=5000	C=7	L=0.14
Fc=6000	C=5.9	L=0.12
Fc=7000	C=5	L=0.1
Fc=8000	C=4.4	L=0.09

Attenuatore

1dB	R1=0.34	R2=27
2dB	R1=0.66	R2=12.3
3dB	R1=0.93	R2=7.8
4dB	R1=1.17	R2=5.5
5dB	R1=1.4	R2=4.1
6dB	R1=1.6	R2=3.2
7dB	R1=1.77	R2=2.58



E.B. ACOUSTIC & ELECTRONIC RESEARCH S.R.L.

Via S. Bartolomeo, 10 - 28047 OLEGGIO (NO) Italy Ph. 0039 0321 91430 - Fax 0039 0321 94411

www.ebacoustic.it