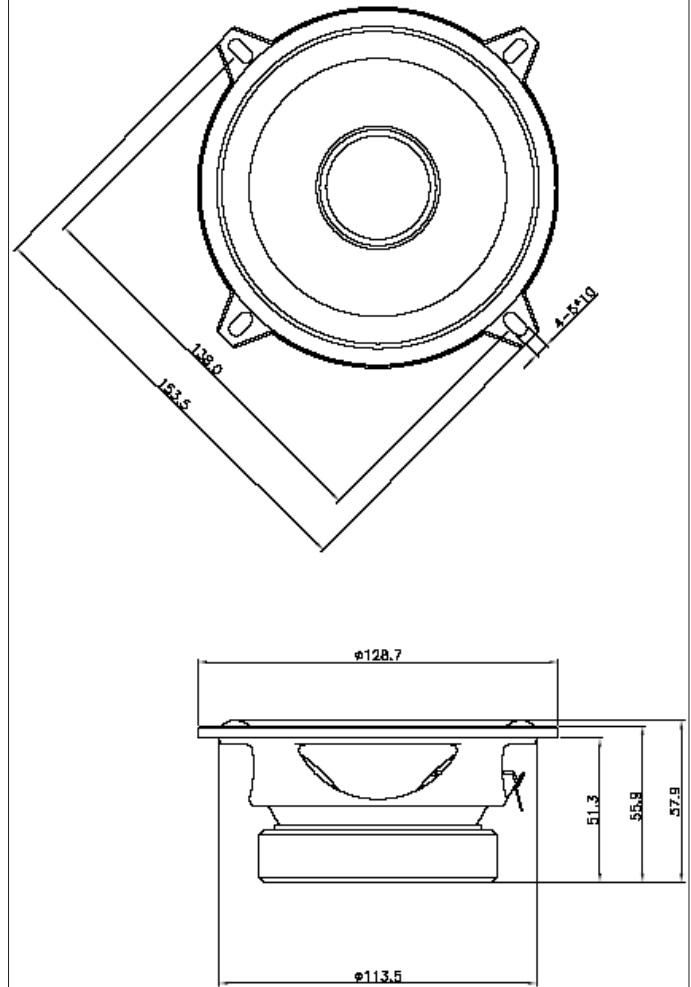


WOOFER

My 5

- 1 Surround in gomma.
- 2 Gasket in ABS per iniezione.
- 3 Cono in FIBREGLASS.
- 4 Trecciole argentate.
- 6 Terminali 4,8x7,2 mm.
- 7 Cestello a norme DIN in lamiera con trattamento texture anti-corrosivo.



Frequency range	95 -6000	Hz
Equivalent volume, Vas	4.404	L
Compliance, Cms	0.0050	mm/N
Mechanical resistance, Rms	3.2	Ns/m
Effective diaphragm/cone area, Sd	79	cm ²
Voice coil diameter	25.9	mm
Voice coil height	7	mm
Air gap height	4	mm
Linear excursion, Xmax	± 1.5	mm
Max mechanical excursion	± 7	mm
Nominal impedance	4	ohm
Voice coil resistance	3.77	ohm
Voice coil inductance	0.193	mH
Free air resonance, Fs	95.37	Hz
Sensitivity, Spl (2.83V/1m)	88.5	dB
Force factor, Bxl	3.312	Tm
Moving mass, Md	8.400	g
Qms	2.228	
Qes	1.404	
Qts	0.979	
Nominal power	45	W
Short term max power	180	W
Long term max power	90	W

SPL vs Freq

