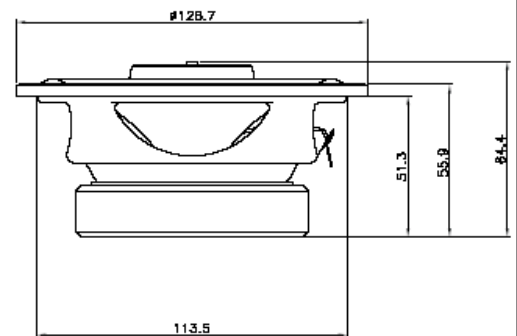
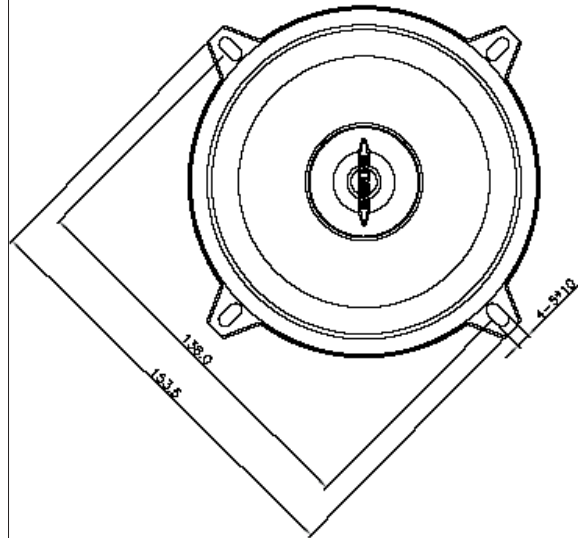


COAXIAL

My 5X

- 1 Surround in gomma.
- 2 Gasket in ABS per iniezione.
- 3 Cono in FIBREGLASS.
- 4 Trecciole argentate.
- 5 Tweeter al neodimio.
- 6 Terminali 4,8x7,2 mm.
- 7 Cestello a norme DIN in lamiera con trattamento texture anti-corrosivo.



Frequency range	95 - 20000	Hz
Equivalent volume, Vas	2.904	L
Compliance, Cms	0.0033	mm/N
Mechanical resistance, Rms	3.2	Ns/m
Effective diaphragm/cone area, Sd	79	cm ²
Voice coil diameter	25.9	mm
Voice coil height	7	mm
Air gap height	4	mm
Linear excursion, Xmax	± 1.5	mm
Max mechanical excursion	± 7	mm
Nominal impedance	4	ohm
Voice coil resistance	3.69	ohm
Voice coil inductance	0.193	mH
Free air resonance, Fs	95.37	Hz
Sensitivity, Spl (2.83V/1m)	88.2	dB
Force factor, Bxl	3.182	Tm
Moving mass, Md	8.400	g
Qms	2.634	
Qes	1.835	
Qts	1.082	
Nominal power	45	W
Short term max power	180	W
Long term max power	90	W

SPL vs Freq

