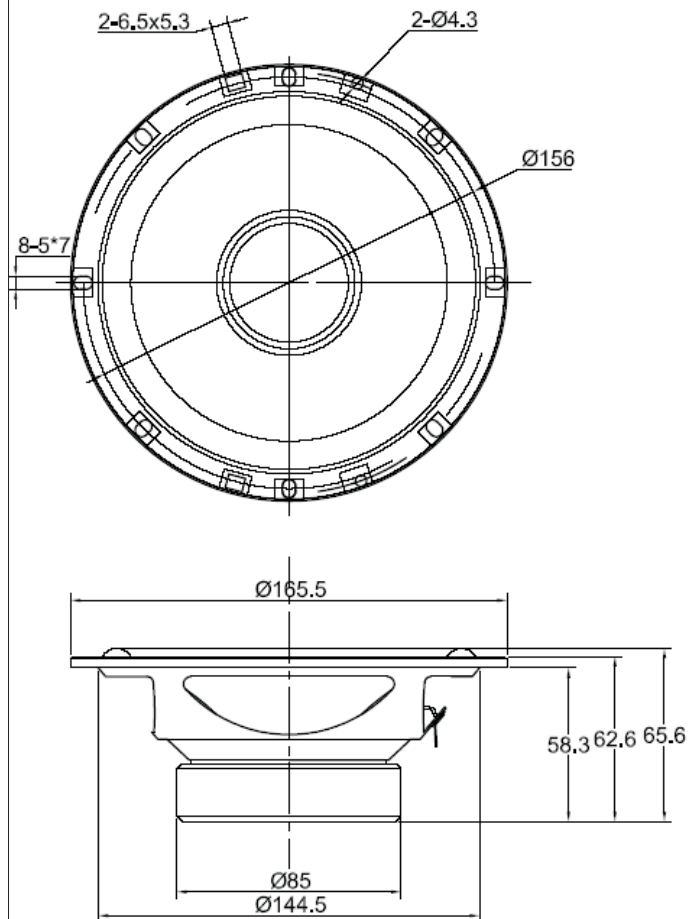


# WOOFER

# My 6

- 1 Surround in gomma.
- 2 Gasket in ABS per iniezione.
- 3 Cono in FIBREGLASS.
- 4 Trecciole argentate.
- 6 Terminali 4,8x7,2 mm.
- 7 Cestello a norme DIN in lamiera con trattamento texture anti-corrosivo.



Frequency range	78 -6000	Hz
Equivalent volume, Vas	9.203	L
Compliance, Cms	0.0033	mm/N
Mechanical resistance, Rms	3.2	Ns/m
Effective diaphragm/cone area, Sd	141	cm <sup>2</sup>
Voice coil diameter	25.9	mm
Voice coil height	7	mm
Air gap height	4	mm
Linear excursion, Xmax	$\pm 1.5$	mm
Max mechanical excursion	$\pm 8$	mm
Nominal impedance	4	ohm
Voice coil resistance	3.54	ohm
Voice coil inductance	0.204	mH
Free air resonance, Fs	77.44	Hz
Sensitivity, Spl (2.83V/1m)	90.6	dB
Force factor, Bxl	3.133	Tm
Moving mass, Md	12.963	g
Qms	2.316	
Qes	2.274	
Qts	1.148	
Nominal power	60	W
Short term max power	240	W
Long term max power	120	W

