

KEY FEATURES

- High sensitivity (104 dB)
- Extended frequency range (3.5 -20 KHz)
- Aluminium diaphragm
- Ferrite magnet
- Aluminium front cover
- Designed for the high frequencies reproduction

TECHNICAL SPECIFICATIONS

Nominal impedance	4 ohms
Power handling / maximum	25 W RMS / 100 W
Sensitivity	104 dB 1w @ 1m
Frequency range	3.5 - 20 kHz
Recommended crossover frequency	5 kHz, 12 dB/oct.
Resonant frequency, fs	4 kHz
Voice coil diameter	25.8 mm. 1.02 in.
Diaphragm material	Aluminium

MOUNTING INFORMATION

Overall diameter	102.5 mm. 4.04 in.
Depth	45 mm. 1.77 in.
Baffle cutout dimensions	75 mm. 2.95 in.
Bolt circle diameter	90 mm. 3.54 in.

RECOMMENDED ATTENUATION

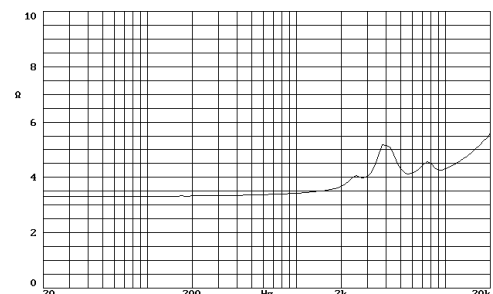
-3 dB attenuation	R1 (1.2 Ω) R2 (10 Ω)
-6 dB attenuation	R1 (2 Ω) R2 (4 Ω)
-9 dB attenuation	R1 (2.7 Ω) R2 (2.2 Ω)
-12 dB attenuation	R1 (3 Ω) R2 (1.2 Ω)

Note: these values are calculated for a 4 ohms load impedance.
Please do not forget to take into account the applied power when choosing the resistors.

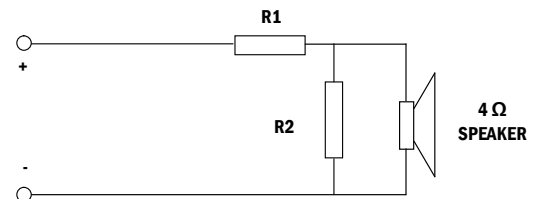
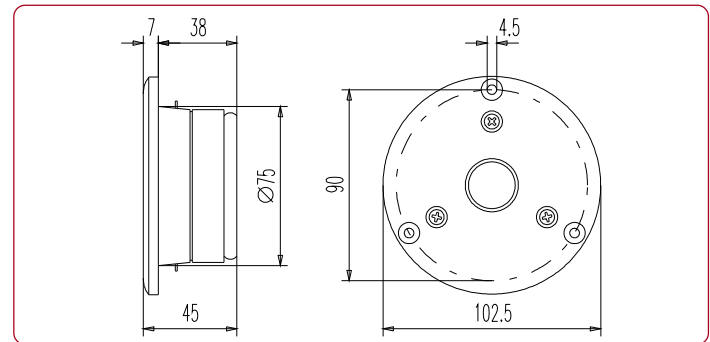
FREQUENCY RESPONSE



IMPEDANCE CURVE



DIMENSIONS DRAWINGS



E.B. ACOUSTIC & ELECTRONIC RESEARCH S.R.L.

Via S. Bartolomeo, 10 - 28047 OLEGGIO (NO) Italy Ph. 0039 0321 91430 - Fax 0039 0321 94411

www.ebacoustic.it