

### KEY FEATURES

- Excellent power handling (600 W RMS)
- High sensitivity (97 dB)
- Designed for subwoofer applications

### TECHNICAL SPECIFICATIONS

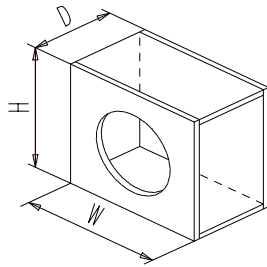
Nominal diameter	380 mm. 15 in.
Nominal impedance	4 ohms
Power handling / Max. power	600 W RMS / 1800 W
Sensitivity	97 dB 1w @ 1m
Frequency range	35 - 1000 Hz
Voice coil diameter	100 mm. 4 in.
Bl factor	17.5 N/A
Moving mass	0.134 Kg.

### THIELE-SMALL PARAMETERS

Resonance frequency, $f_s$	30 Hz
D.C. resistance, $R_e$	4.4 ohms.
Mechanical quality factor, $Q_{ms}$	6.13
Electrical quality factor, $Q_{es}$	0.37
Total quality factor, $Q_{ts}$	0.35
Equivalent air volume to $C_{ms}$ , $V_{as}$	240 l
Efficiency, $\eta_0$ (%)	1.8
Effective surface area, $S_d$	910 cm <sup>2</sup>
Maximum displacement, $X_{max}$	9 mm.
Displacement volume, $V_d$	819 cm <sup>3</sup>
Voice coil inductance, $L_e$ @ 1 kHz	1.8 mH

### CLOSED BOX

Vol = 55 liters 1.94 ft<sup>3</sup>  
 H = 490 mm. 19.29 in.  
 W = 560 mm. 22.05 in.  
 D = 270 mm. 10.63 in.  
 Wall thickness = 19 mm. 0.75 in.

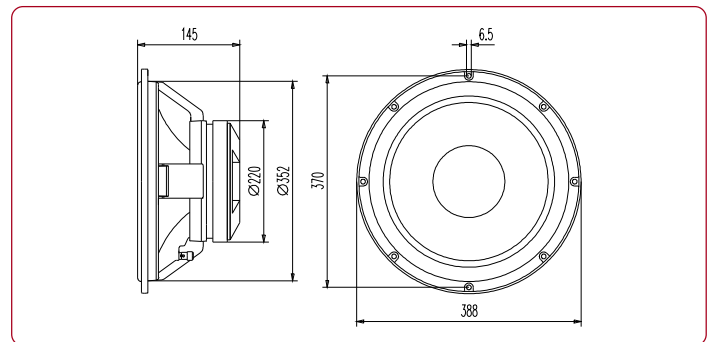


Note: the dimensions are external

### FREQUENCY RESPONSE

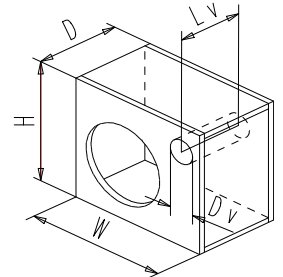


### DIMENSION DRAWINGS



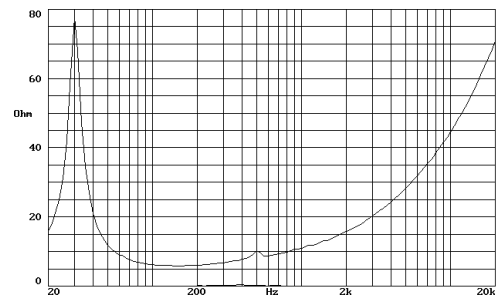
### VENTED BOX

Vol = 65 liters 2.30 ft<sup>3</sup>  
 H = 490 mm. 19.29 in.  
 W = 660 mm. 25.98 in.  
 D = 270 mm. 10.63 in.  
 Wall thick. = 19 mm. 0.75 in.  
 No. of vents = 1  
 Dv = 100 mm. 3.94 in.  
 Lv = 151 mm. 5.95 in.



Note: the dimensions are external

### FREE AIR IMPEDANCE



**E.B. ACOUSTIC & ELECTRONIC RESEARCH S.R.L.**

Via S. Bartolomeo, 10 - 28047 OLEGGIO (NO) Italy Ph. 0039 0321 91430 - Fax 0039 0321 94411

[www.ebacoustic.it](http://www.ebacoustic.it)