

KEY FEATURES

- High power handling (100 W RMS)
- Excellent sensitivity (98 dB)
- Designed for medium frequencies reproduction

TECHNICAL SPECIFICATIONS

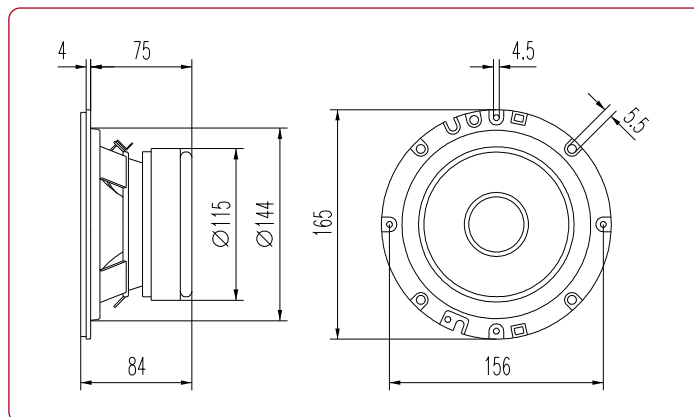
Nominal diameter	165 mm. 6.5 in.
Nominal impedance	4 ohms
Power handling / maximum	100 W RMS / 200 W
Sensitivity	98 dB 1w @ 1m
Frequency range	150 - 8000 Hz
Voice coil diameter	38.5 mm. 1.5 in.
Bl factor	6.5 N/A
Moving mass	0.007 Kg.

THIELE-SMALL PARAMETERS

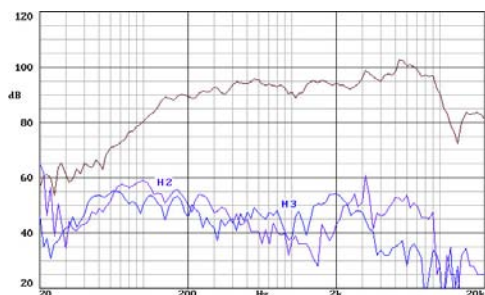
Resonant frequency, f_s	215 Hz
D.C. voice coil resistance, R_e	3.5 ohms.
Mechanical quality factor, Q_{ms}	8.10
Electrical quality factor, Q_{es}	0.81
Total quality factor, Q_{ts}	0.74
Equivalent air volume to C_{ms} , V_{as}	2.1 l
Efficiency, η (%)	2.5
Effective surface area, S_d	140 cm ²
Voice coil inductance, L_e @ 1kHz	0.35 mH



DIMENSION DRAWINGS

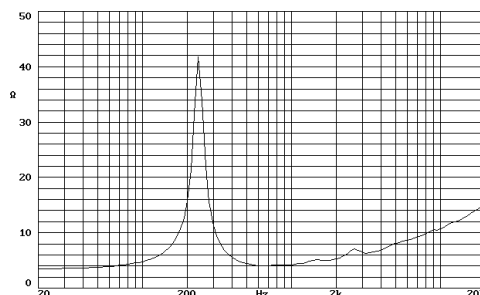


FREQUENCY RESPONSE



Note: on axis frequency response measured with loudspeaker standing on infinite baffle in anechoic chamber, 1w @ 1m.

FREE AIR IMPEDANCE CURVE



E.B. ACOUSTIC & ELECTRONIC RESEARCH S.R.L.

Via S. Bartolomeo, 10 - 28047 OLEGGIO (NO) Italy Ph. 0039 0321 91430 - Fax 0039 0321 94411

www.ebacoustic.it