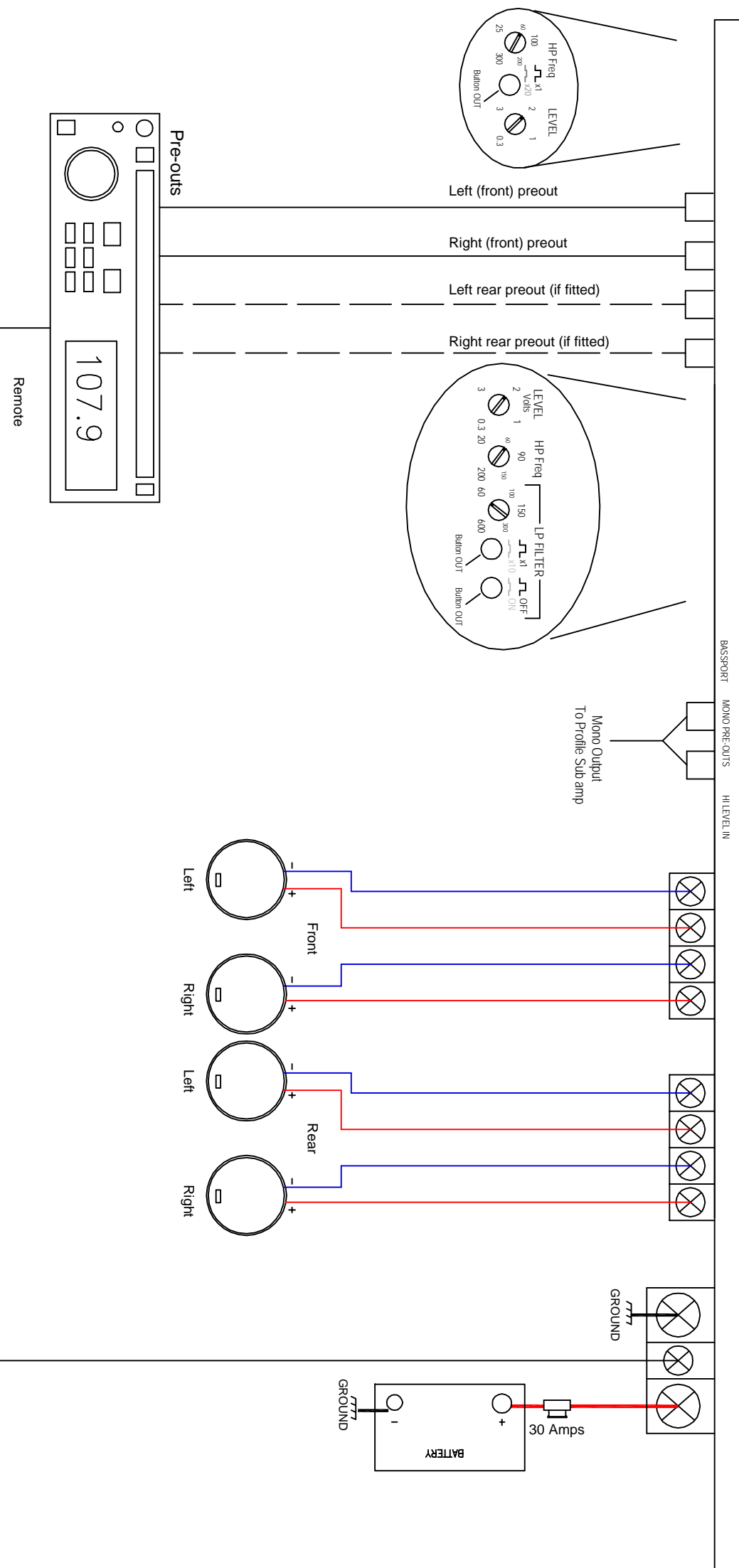
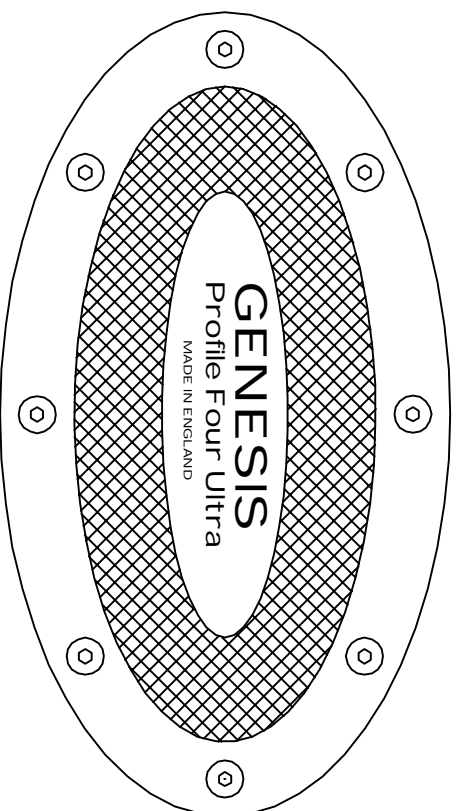
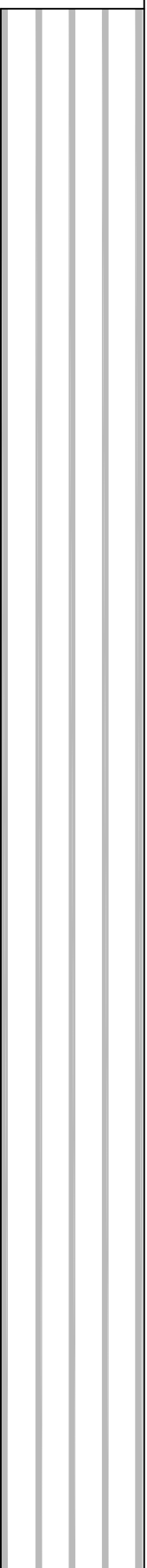


Profile Four Ultra Connection Diagram - Front + Rear Speakers



Profile 4 Ultra Specifications:

Power output, All Channels Driven:
 4 x 100W RMS @ 4 Ω
 4 x 150W RMS @ 2 Ω
 2 x 300W Bridged @ 4 Ω

Preouts: 4 V RMS output for 4 V RMS input.

Signal/Noise ratio 'A' Wtd: > 100dB

Input Sensitivity: 0.3 - 3.0 volts (4 - 8 volt preout Compatible)

Filters:

HighPass: CH 1 & 2: 25 - 6000 Hz, 12dB /Octave

HighPass: CH 3 & 4: 20 - 200 Hz, 12dB /Octave

LowPass: CH 3 & 4: 60-6000Hz, 12dB / Octave

Installation & Operating Notes:

1. If only one set of pre-outs available, plug these into inputs 1&2. Signal will be fed to inputs 3 & 4 internally. Do not use 'Y' cables unless bridging the amp. If 2 sets of preouts are available then connect these to inputs 1-4.
2. Settings shown are for guidance only. Consult speaker data for more accurate information.
3. Power cable should be 10mm (6AWG) or larger.
4. Preouts are summed Mono from channels 1-4 (non fading)
5. Optional Remote sub level control provides +/- 6dB of adjustment.
6. Up to 2 pairs of 4 ohm speakers can be connected to each output. The Minimum bridged load is 3 ohms.
7. Overloading the amp will cause the blue power light to flash. Remove the cause of the overload to restore normal operation of the amplifier. (Check air intake is not clogged, if amp has previously been working normally.)
8. The fan only runs when the amplifier is warm or hot.
9. Mounting centres for concealed bracket mounting: 150 x 440mm
10. Cutout for through mounting: 217 x 450 mm.
11. Periodically clean fan intake, using brush attachment on vacuum cleaner.

