



# SUB WOOFER

# PXW 8

1 Surround- TPR material

2 Gasket- TPR material

3 Cone- PP injected

4 Spider- TPR material

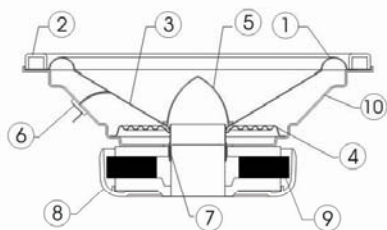
5 Dust Cap- not present

6 Terminal- platinum plated

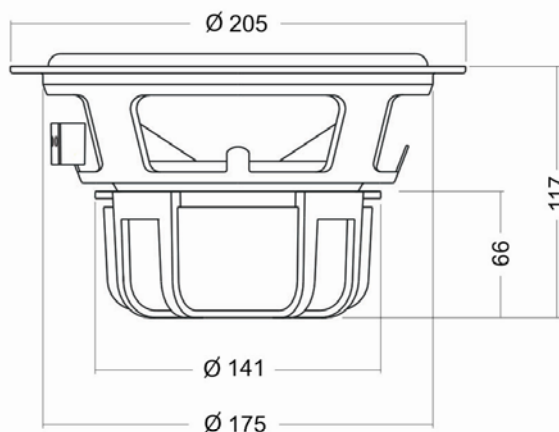
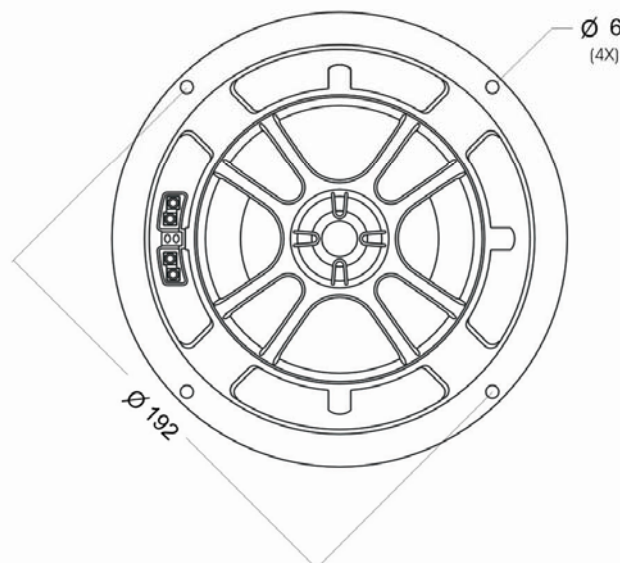
7 Voice coil- 32x19,5 mm dual fiberglass former

8 Magnet system vented 6.3 mm, gap height

9 Magnet 115x45x24 mm



10 Basket frame steel material



(mm)

Frequency range	30-4000 Hz
Equivalent volume, Vas	20 L
Compliance, Cms	0,265 mm/N
Mechanical resistance, Rms	3.7 Ns/m
Effective diaphragm/cone area, Sd	214 cm <sup>2</sup>
Voice coil diameter	32 mm
Voice coil height	19.5 mm
Air gap height	6.3 mm
Linear excursion, Xmax	± 7 mm
Max mechanical excursion	± 14 mm
Nominal impedance ( dual )	2 ohm
Voice coil resistance ( dual )	1.9 ohm
Voice coil inductance	0,43 mH
Free air resonance, Fs	40 Hz
Sensitivity, Spl (1W/1m)	86 dB
Force factor, Bxl	5,1 Tm
Moving mass, Md	52 g
Qms	4,10
Qes	0,50
Qts	0,44
Nominal power	180 W
Short term max power	360 W
Magnet weight	1056 g
Total weight of driver	2685 g

### SPL vs Freq



LMS

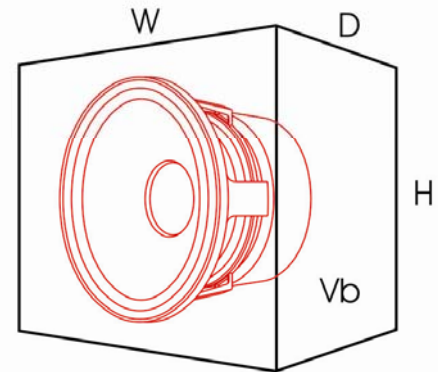


Tec Professional Car Audio

## SUB WOOFER PXW 8

### SEALED ENCLOSURES

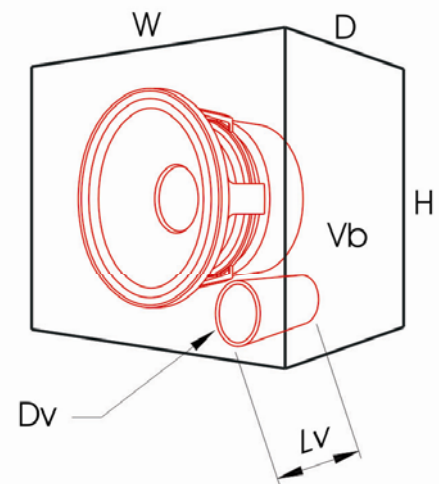
Vb (net)	External Dimensions (mm)		
	W	H	D
11.0 lts	260	230	270



Material - MDF 15mm

### VENTED ENCLOSURES

Vb (net)	External Dimensions (mm)				
	W	H	D	Dv	Lv
16.1 lts	260	230	380	3"	250



Material - MDF 15mm

**E.B. ACOUSTIC & ELECTRONIC RESEARCH**

Via S. Bartolomeo , 10 - 28047 OLEGGIO (NO) Italy Ph. 0039 0321 91430 - Fax 0039 0321 94411