

KEY FEATURES

- Extremely linear frequency response
- High sensitivity (93 dB)
- Specially treated fabric dome
- Neodymium magnet
- Aluminium front cover
- Designed for the mid frequencies reproduction

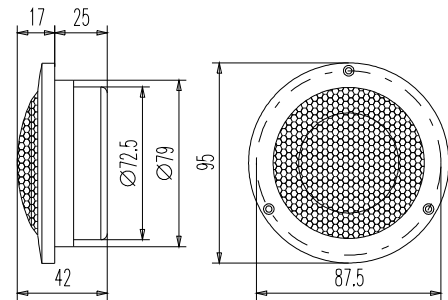
TECHNICAL SPECIFICATIONS

Nominal impedance	4 ohms
Power handling / maximum	40 W RMS / 90 W
Sensitivity	93 dB 1w @ 1m
Frequency range	500 - 7000 Hz
Recommended crossover frequency	800 Hz, 12 dB/oct.
Resonant frequency, fs	0.6 kHz
Voice coil diameter	44.3 mm. 1.75 in.
Diaphragm material	Plasticised fabric

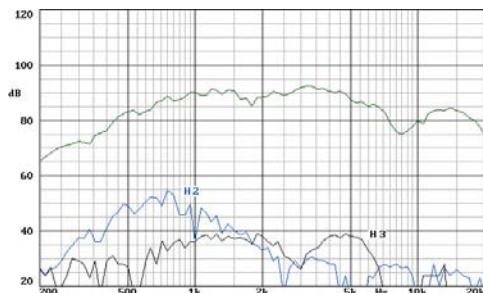
MOUNTING INFORMATION

Overall diameter	95 mm. 3.74 in.
Depth	42 mm. 1.65 in.
Baffle cutout dimensions	79 mm. 3.11 in.
Bolt circle diameter	87.5 mm. 3.44 in.

DIMENSION DRAWINGS

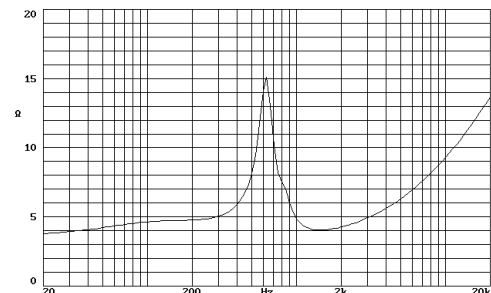


FREQUENCY RESPONSE



Nota: on axis frequency response measured on anechoic chamber, applying 1w@1m.

IMPEDANCE CURVE



E.B. ACOUSTIC & ELECTRONIC RESEARCH S.R.L.

Via S. Bartolomeo, 10 - 28047 OLEGGIO (NO) Italy Ph. 0039 0321 91430 - Fax 0039 0321 94411

www.ebacoustic.it