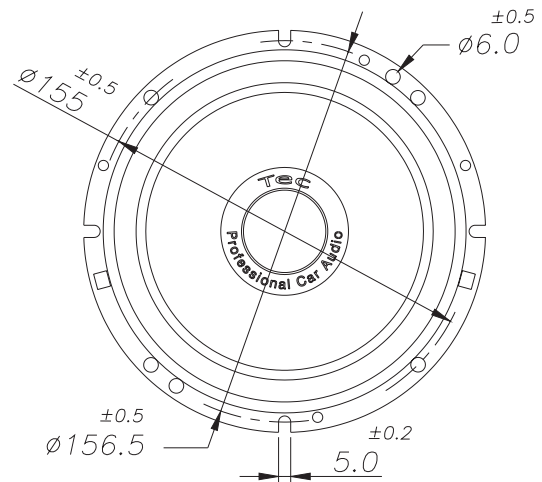
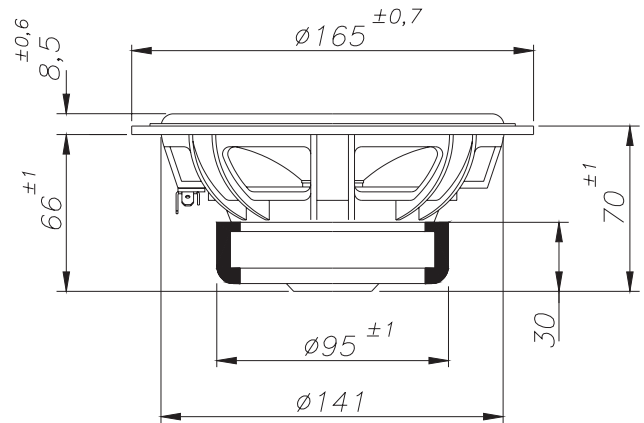
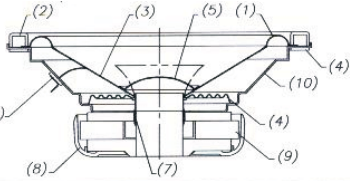


# MID-WOOFER

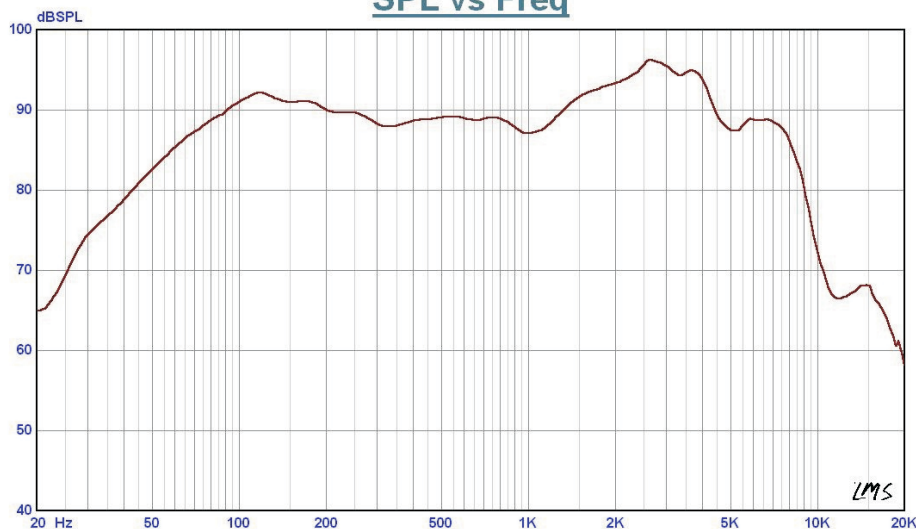
# SPL 6

- 1 Surround RUBBER material
- 2 Gasket not present
- 3 Cone CARBON FIBER
- 4 Spider CONEX material
- 5 Dust Cap PP injected
- 6 Terminal 6,3x4,8mm
- 7 Voice coil 26x10,6 mm. 2 layers Kapton former
- 8 Magnet system vented 4,8 mm. gap height
- 9 Magnet 86x32x15mm.
- 10 Basket frame Nylon (injected) material



Frequency range	55-10000Hz
Equivalent volume, Vas	9 L
Compliance, Cms	0,350 mm/N
Mechanical resistance, Rms	0,68 Ns/m
Effektive diaphragm/cone area, Sd	132 cm <sup>2</sup>
Voice coil diameter	26 mm
Voice coil height	10,6mm
Air gap height	4,8 mm
Linear excursion, Xmax	± 3 mm
Max mechanical excursion	± 6 mm
Nominal impedance	4 ohm
Voice coil resistance	3,3 ohm
Voice coil inductance	0,48 mH
Free air resonance, Fs	70 Hz
Sensitivity, Spl (1W/1m)	88 dB
Force factor, Bxl	4,9 Tm
Moving mass, Md	13,8 g
Qms	4,32
Qes	0,83
Qts	0,69
Nominal power	110W
Short term max power	220W
Magnet weight	373g
Total weight of driver	980 g

**SPL vs Freq**



LMS