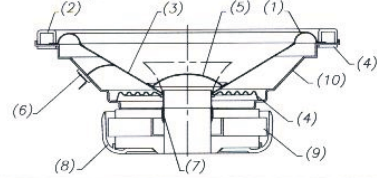


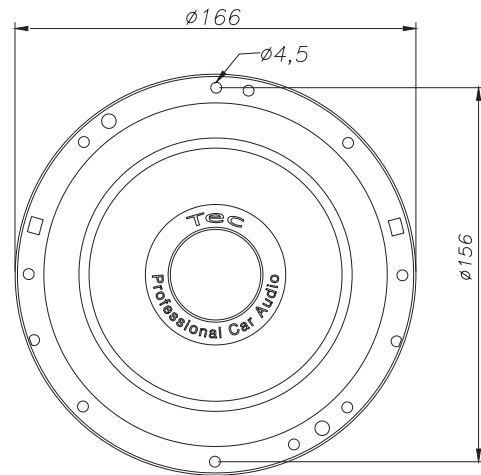
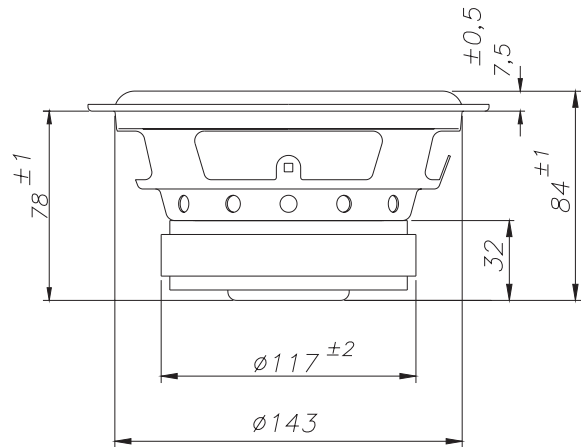
MID-WOOFER

SPL 6HS

- 1 Surround Rubber material
- 2 Gasket Not Present
- 3 Cone Carbon Fiber
- 4 Spider CONEX material
- 5 Dust Cap PP injected
- 6 Terminal 6,3 x 4,8mm
- 7 Voice coil 32x15,2 mm. 2 layers Kapton former
- 8 Magnet system vented 6,3 mm. gap height
- 9 Magnet 115x56x15mm
- 10 Basket frame Steel material



Frequency range	50-7000 Hz
Equivalent volume, Vas	8 L
Compliance, Cms	0,308 mm/N
Mechanical resistance, Rms	1,70 Ns/m
Effektive diaphragm/cone area, Sd	132 cm ²
Voice coil diameter	32 mm
Voice coil height	15,2 mm
Air gap height	6,3 mm
Linear excursion, Xmax	± 5 mm
Max mechanical excursion	±10 mm
Nominal impedance	4 ohm
Voice coil resistance	3,2 ohm
Voice coil inductance	0,51 mH
Free air resonance, Fs	68 Hz
Sensitivity, Spl (1W,1m)	87 dB
Force factor, Bxl	5,6 Tm
Moving mass, Md	17,8 g
Qms	3,70
Qes	0,70
Qts	0,61
Nominal power	150 W
Short term max power	300 W
Magnet weight	595 g
Total weight of driver	1830 g



SPL vs Freq

