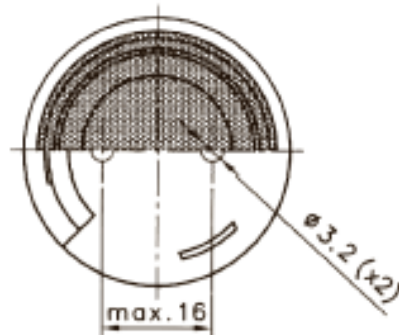
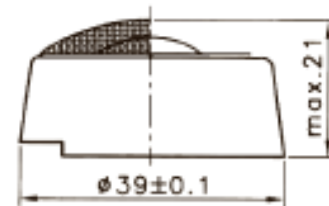


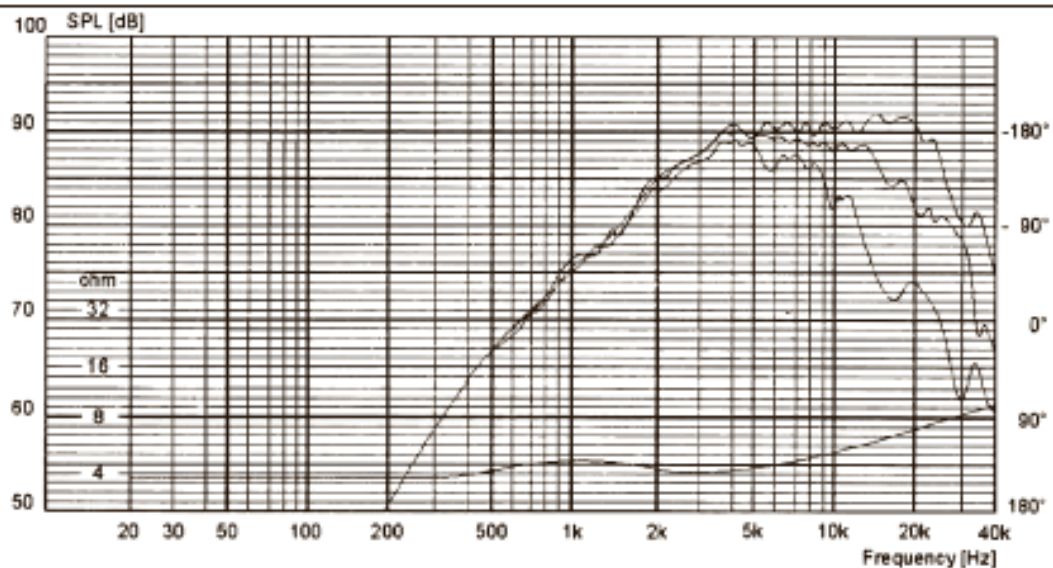
NEODYM. TWEETER

TG20N/K

- * TWEETER con cupola in seta da 20mm.
- * Griglia integrata nel corpo tweeter.
- * Magnete al neodimio ad alta temperatura di smagnetizzazione.
- * Molteplici accessori di installazione disponibili.
- * Crossover dedicato 12dB/oct. disponibile.
- * Cablaggio ad innescio rapido saldato sui terminali tweeter.

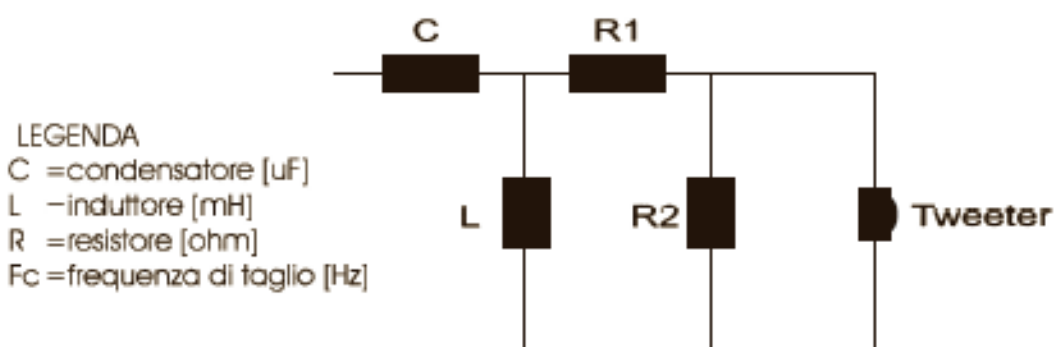


Frequency range	KHz	3-20
Equivalent volume, Vas	L	0.001
Compliance, Cms	mm/N	0.04
Mechanical resistance, Rms	Ns/m	0.09
Effective diaphragm/cone area, Sd	cm ²	4.5
Voice coil diameter	mm	20
Voice coil height	mm	2
Air gap height	mm	2
Nominal impedance	ohm	4
Voice coil resistance	ohm	3.2
Voice coil inductance	mH	0.036
Free air resonance, Fs	Hz	1500
Sensitivity, Spl (2.83V/1m)	dB	89/90
Force factor, BxI	Tm	5.5
Moving mass, Md	g	0.2
Qms		0.85
Qes		1.75
Qts		0.57
Nominal power	W	30
Short term max power	W	120
Long term max power	W	60
Magnet weight	g	8.5
Total weight of driver	g	35



NEODYM. TWEETER

TG20N/K



Crossover 12dB/oct. Butterworth

Fc=3000	C=10	L= 0.27
Fc=3500	C=9.0	L= 0.23
Fc=4000	C= 7.8	L= 0.20
Fc=5000	C= 6.6	L= 0.16
Fc=6000	C= 5.5	L= 0.14
Fc=7000	C= 4.7	L= 0.12
Fc=8000	C= 3.9	L= 0.10

Attenuatore

1dB	R1=0.33	R2=33
2dB	R1=0.82	R2=13.3
3dB	R1=1	R2=8.2
4dB	R1=1.33	R2=6.8
5dB	R1=1.5	R2=4.7
6dB	R1=1.8	R2=3.9
7dB	R1=2.2	R2=3.3



E.B. ACOUSTIC & ELECTRONIC RESEARCH S.R.L.

Via S. Bartolomeo, 10 - 28047 OLEGGIO (NO) Italy Ph. 0039 0321 91430 - Fax 0039 0321 94411

www.ebacoustic.it