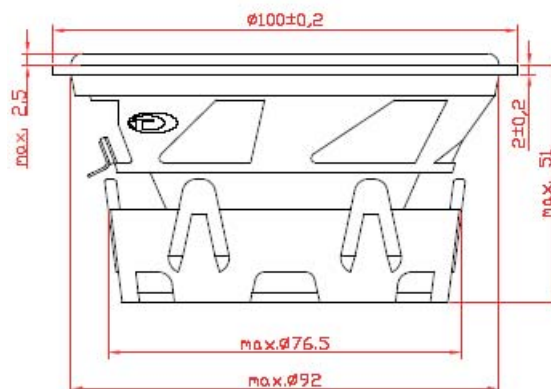
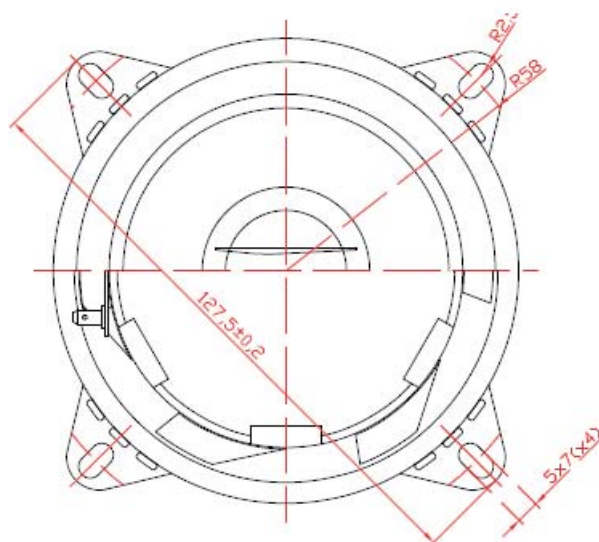


COAXIAL

TG 4X

- 1 Surround in gomma.
- 2 Gasket in ABS per iniezione.
- 3 Cono Silver in cellulosa trattata.
- 4 Treccie argentate.
- 5 Tweeter al neodimio.
- 6 Terminali placcati oro 4,8x7,2 mm.
- 7 Cestello a norme DIN in lamiera con trattamento texture anti-corrosivo.



Frequency range	100 - 20000 Hz
Equivalent volume, Vas	0,001/3,08 Lt
Compliance, Cms	0,04/0,32 mm/N
Effective diaphragm/cone area, Sd	4,09/49 cm ²
Voice coil diameter	13/25 mm
Voice coil height	1,05/10 mm
Air gap height	2/4 mm
Linear excursion, Xmax	± -/3 mm
Max mechanical excursion	± -/4 mm
Nominal impedance	4/4 ohm
Voice coil resistance	3,1/3,46 ohm
Voice coil inductance	0,03/0,29 mH
Free air resonance, Fs	2000/96 Hz
Sensitivity, Spl (2.83V/1m)	89/88 dB
Force factor, Bxl	-/3,82 Tm
Moving mass, Md	0,2/2,95 g
Qms	-/4,67
Qes	-/1,38
Qts	-/1,07
Nominal power	35 W
Short term max power	140 W
Long term max power	70 W

