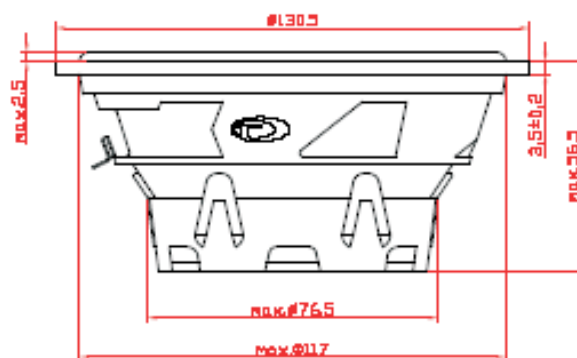
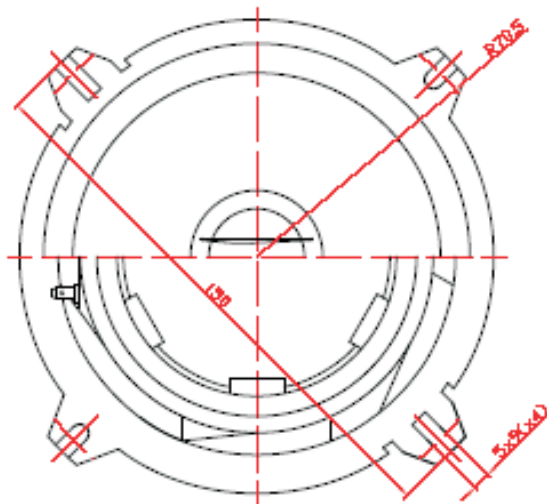


# COAXIAL

# TG 5X

- 1 Surround in gomma.
- 2 Gasket in ABS per iniezione.
- 3 Cono Silver in cellulosa trattata.
- 4 Treccie argentate.
- 5 Tweeter al neodimio.
- 6 Terminali placcati oro 4,8x7,2 mm.
- 7 Cestello a norme DIN in lamiera con trattamento texture anti-corrosivo.



Frequency range	85 - 20000 Hz
Equivalent volume, Vas	0,001/4,7 Lt
Compliance, Cms	0,04/0,40 mm/N
Effective diaphragm/cone area, Sd	4,09/92 cm <sup>2</sup>
Voice coil diameter	13/25 mm
Voice coil height	1,05/10 mm
Air gap height	2/4 mm
Linear excursion, Xmax	± -/3 mm
Max mechanical excursion	± -/4 mm
Nominal impedance	4/4 ohm
Voice coil resistance	3,1/3,57 ohm
Voice coil inductance	0,03/0,57 mH
Free air resonance, Fs	2000/85 Hz
Sensitivity, Spl (2.83V/1m)	89/89 dB
Force factor, Bxl	-/4,55 Tm
Moving mass, Md	0,2/7,56 g
Qms	-/3,39
Qes	-/0,78
Qts	-/0,63
Nominal power	45 W
Short term max power	180 W
Long term max power	90 W

