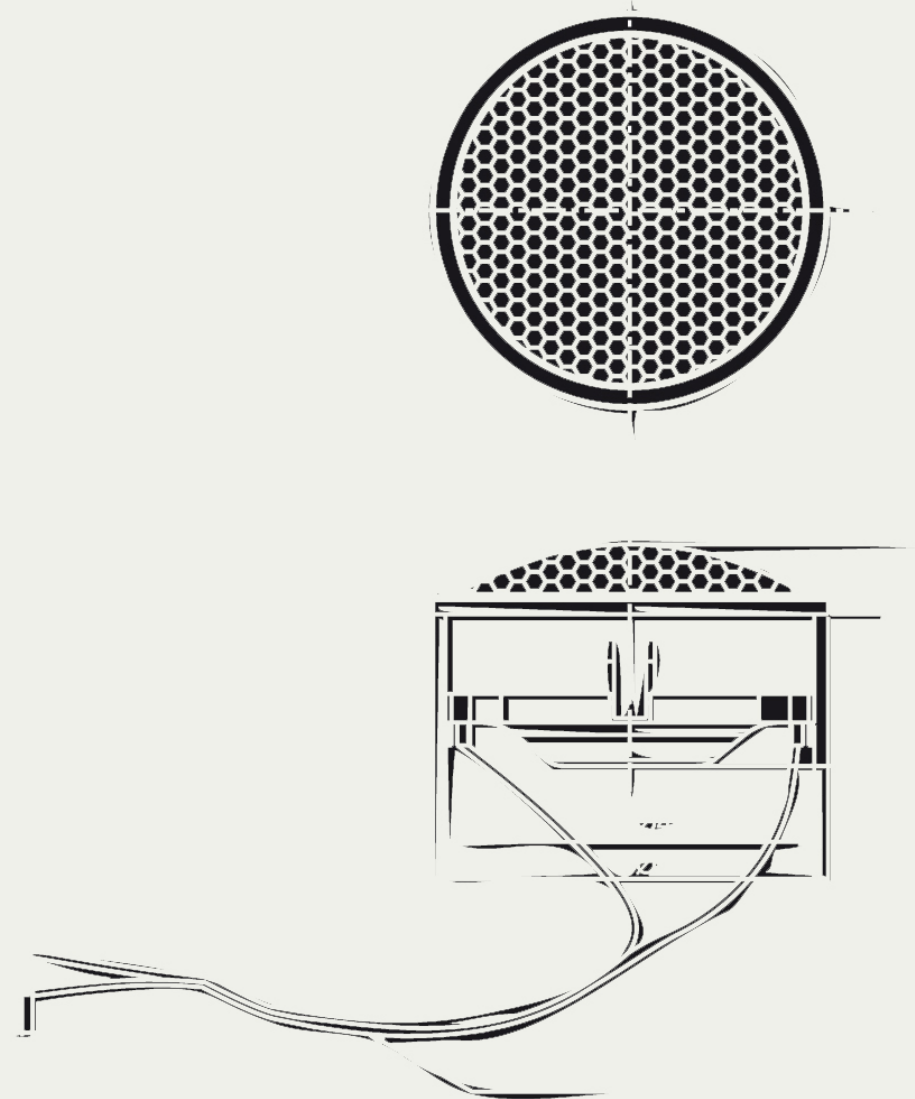


XP25n

neodymium Tweeter

Frequency range	KHz	2.6-20
Equivalent volume, V_{as}	L	0.002
Mechanical resistance, R_{ms}	Ns/m	0,034
Effective diaphragm/cone area, S_d	cm ²	71
Voice coil diameter	mm	25.4
Voice coil height	mm	5
Nominal impedance	ohm	4
Voice coil resistance	ohm	3.2
Voice coil inductance	mH	0.03
Free air resonance, F_s	Hz	1700
Sensitivity, Spl (2.83V/1m)	dB	92
Force factor, B_{xl}	Tm	2.5
Moving mass, M_d	g	0.27
Q_{ms}		1.4
Q_{es}		1.7
Q_{ts}		0.75
Nominal power	W	40
Short term max power	W	160
Long term max power	W	80
Total weight of driver	g	60



NEODYM. TWEETER

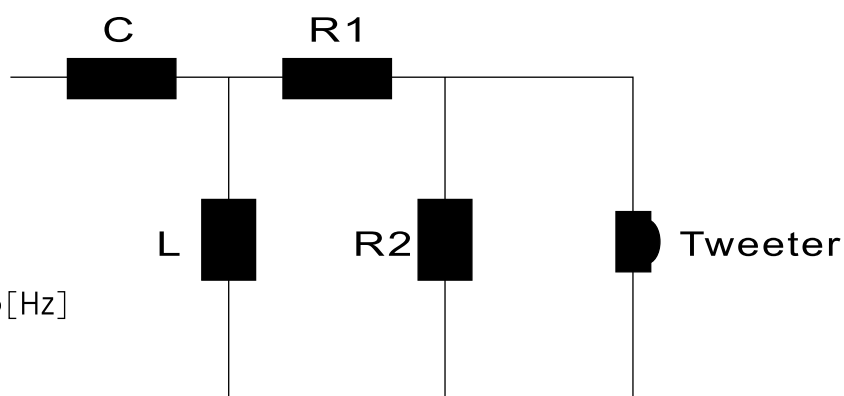
LEGENDA

C = condensatore [uF]

L = induttore [mH]

R = resistore [ohm]

Fc = frequenza di taglio [Hz]



Crossover 12dB/oct, Butterworth

Fc=3000	C=11	L=0.24
Fc=3500	C=10	L=0.21
Fc=4000	C=8.8	L=0.18
Fc=5000	C=7	L=0.14
Fc=6000	C=5.9	L=0.12
Fc=7000	C=5	L=0.1
Fc=8000	C=4.4	L=0.09

Attenuatore

1dB	R1=0.34	R2=27
2dB	R1=0.66	R2=12.3
3dB	R1=0.93	R2=7.8
4dB	R1=1.17	R2=5.5
5dB	R1=1.4	R2=4.1
6dB	R1=1.6	R2=3.2
7dB	R1=1.77	R2=2.58



E.B. ACOUSTIC & ELECTRONIC RESEARCH S.R.L.

Via S. Bartolomeo, 10 - 28047 OLEGGIO (NO) Italy Ph. 0039 0321 91430 - Fax 0039 0321 94411

www.ebacoustic.it