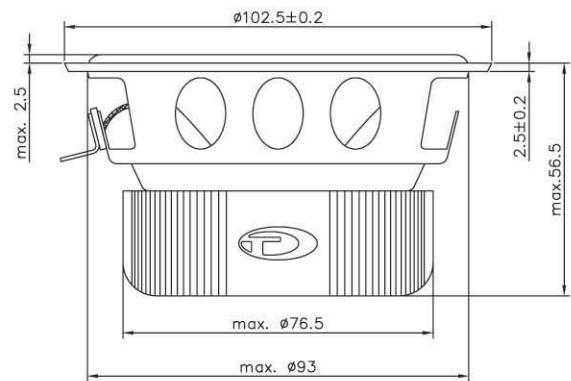
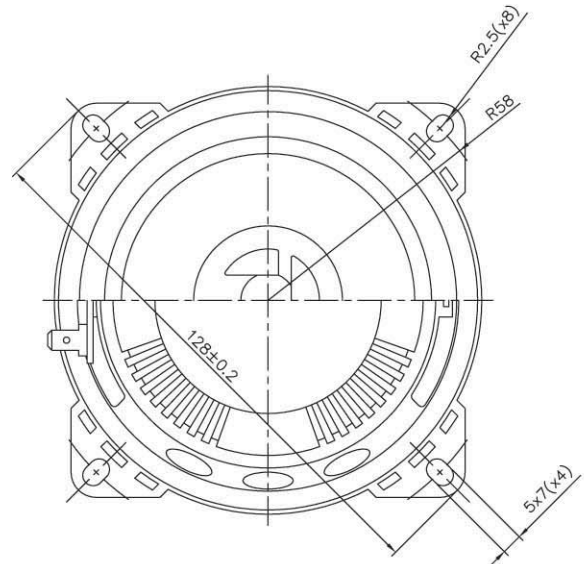


COAXIAL

XP4X

- 1 Surround in gomma.
- 2 Gasket in ABS per iniezione.
- 3 Cono in cellulosa trattata.
- 4 Trecciole argentate.
- 5 Tweeter al neodimio.
- 6 Terminali placcati oro 4,8x7,2 mm.
- 7 Cestello a norme DIN in lamiera con trattamento anti-corrosivo.



Frequency range	Hz	120-20000	
		T_w	W
Equivalent volume, Vas	L	0.001	2.6
Compliance, Cms	mm/N	0.04	0.26
Mechanical resistance, Rms	Ns/m	--	1.42
Effective diaphragm/cone area, Sd	cm ²	4.9	50
Voice coil diameter	mm	13	25
Voice coil height	mm	1.5	10
Air gap height	mm	2	4
Linear excursion, Xmax	mm	--	±3
Max mechanical excursion	mm	--	±4
Nominal impedance	ohm	4	4
Voice coil resistance	ohm	3.1	3.1
Voice coil inductance	mH	0.03	0.24
Free air resonance, Fs	Hz	2000	120
Sensitivity, Spl (2.83V/1m)	dB	90	88
Force factor, BxI	Tm	--	2.4
Moving mass, Md	g	0.2	2.4
Qms	--	--	4.60
Qes	--	--	1.19
Qts	--	--	0.94
Nominal power	W	25	40
Short term max power	W	80	100
Long term max power	W	40	50
Total weight of driver	g	23	597

